

REV A
SHEET 1
DWG NO. 25-T-FA

SPECIFICATIONS:

25 WATT COAXIAL TERMINATION

POWER RATING: 25 WATTS MAXIMUM @ 40°C.

30 WATTS MAXIMUM @ 25°C.

CONNECTOR: SMA FEMALE, PASSIVATED STAINLESS STEEL

FREQUENCY RANGE & VSWR: DC TO 1GHz AT 1.10:1 MAX.

1GHz TO 4GHz AT 1.25:1 MAX.

IMPEDANCE: 50 OHMS, NOMINAL

AMBIENT TEMPERATURE RANGE: -40°C TO +40°C

OPERATING POSITION: ANY

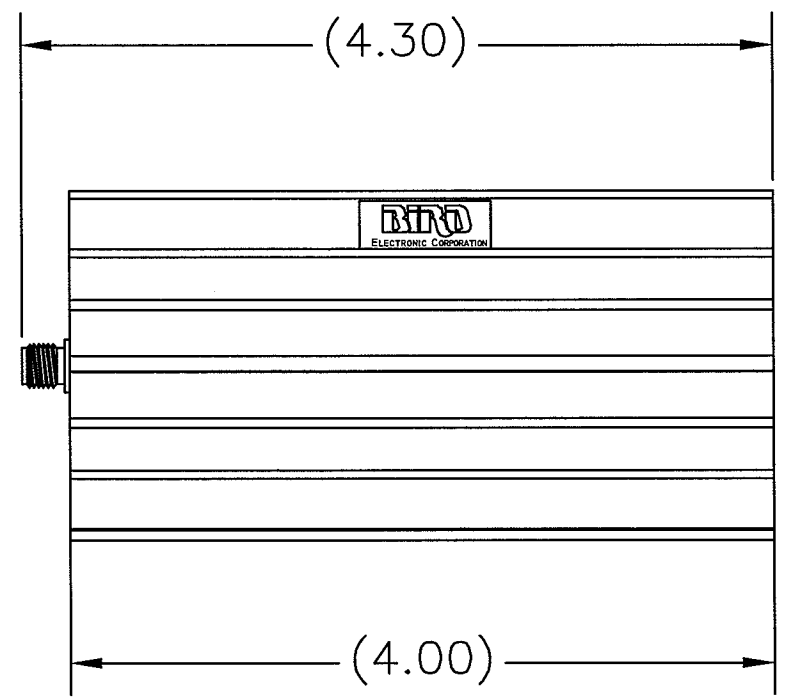
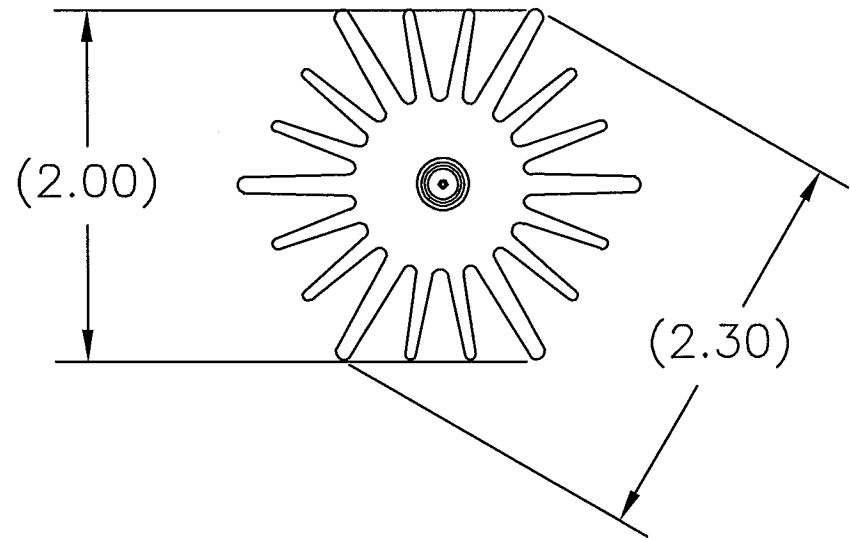
COOLANT: DRY (CONVECTION COOLED)

FINISH: BLACK ANODIZED COOLING FIN

NOMINAL SIZE: 4.30"L X 2.3" DIA.

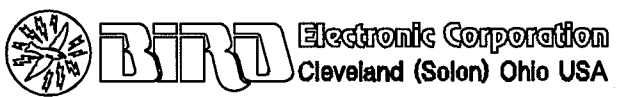
WEIGHT: APPROX. 7 OZ.

REVISIONS				
ZONE	REV	DESCRIPTION	DATE	APPROVED
	A	ECN #0185	12-19-97	<i>MBV</i>



UNLESS OTHERWISE SPECIFIED DIMENSIONS ARE IN INCHES TOLERANCES ARE:		MILLIMETERS
FRACTIONS	DECIMALS	ANGLES
± 1/64	.XX = ±.010 .XXX = ±.005	± 30'
DO NOT SCALE DRAWING		
MATERIAL		
FINISH		

THIS DRAWING IS THE PROPERTY OF THE BIRD ELECTRONIC CORPORATION. THE DESIGNS AND SPECIFICATIONS DISCLOSED HEREON ARE PROPRIETARY AND SHALL NOT BE REPRODUCED, NOR COPIED, NOR USED AS THE BASIS FOR THE MANUFACTURE OR SALE OF APPARATUS OR DEVICES WITHOUT THEIR EXPRESS WRITTEN CONSENT.		
APPROVALS	DATE	TITLE
DRAWN D.M.RINK	5-13-03	FINAL ASS'Y, TERMINATION SMA FEMALE, 25W
CHECKED		
APPROVED <i>MBV</i>	6-15-03	
	AUTOCAD	



SIZE	FSCM NO.	DWG. NO.	REV
B	70998	25-T-FA	A
SCALE	1:1	COMM CODE	LD1
SHEET		1 OF 1	